



PIONEER BUILT EXTRUSION

Built by the signman for the signman. Pioneer Built Extrusion is first quality sign cabinet framing for electrical signage and non-illuminated sign cabinets. Available in three widths, 7", 10", and 12" in either single or double face for your application. Our fabrication shop will cut boxes to your custom specifications. We offer PBX cabinets at four different levels:

Extrusion Set

Includes mitre-cut extrusion, mitre-cut retainers and corners—ready to assemble. (backs are not included in extrusion sets)

Extrusion Kit

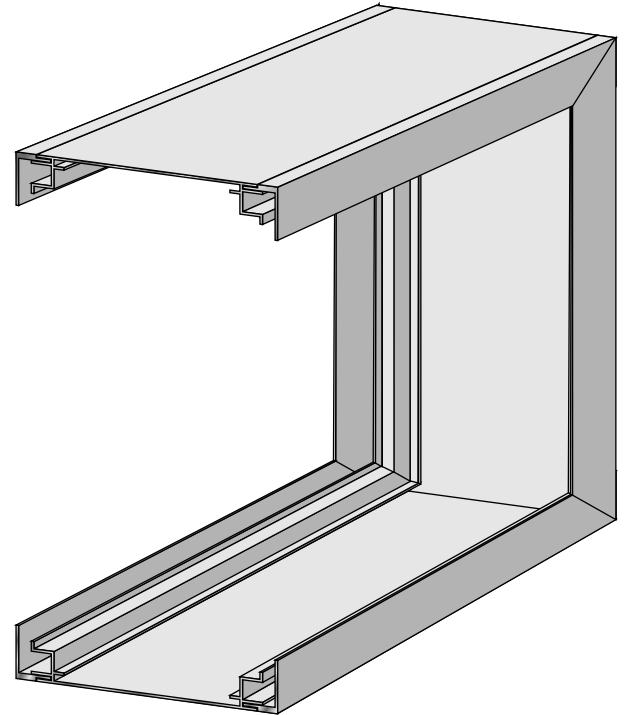
Includes mitre-cut extrusion, mitre cut retainers, mitre-cut back retainer (for single face units), corners, lamps, ballasts, sockets and hat section. Ready-to-assemble. (backs are not included in kits, please order separately)

Assembled Sign Cabinet

Includes mitre-cut extrusion, mitre-cut retainers, mitre-cut back retainer (for single face units), corners, lamps, ballasts, sockets, hat section, backing (for single face units), all fully assembled.

UL Sign Cabinet

Includes all of assembled items listed above plus UL package. The UL package is **\$175.00**. Please note, when ordering a UL assembled sign cabinet, you'll choose from 8 options for mounting. These will be faxed for you to select which one you will use. Options for UL mounting vary in price and are in addition to the UL package. You will be required to sign a UL assembly form, noting cabinet



Call, fax or email for a quote...

CHECKLIST

When ordering or requesting a quotation, please include the following information:

- Quantity of cabinets
- Dimensions (either outside or face size)
- Single or double face
- Which size of extrusion will you use? (7", 10" or 12")
- Extrusion set, kit or assembled,
- If assembled, is it UL, which mounting method?
- Lamps horizontal or vertical
- If vertical, will you need a center pole?
- Will you require faces and/or backs?
Please specify, brand, color and thickness.

By providing us with all of the above information, we will be able to give you the most accurate quotation. We will fax or email a written quotation.

To place your order, just sign the quotation and fax back to Pioneer Supply **after checking all the details**. We will process your order based on the details listed on our quotation unless otherwise noted. Please understand the importance of checking size (O.D. or Face Size), depth of cabinet and all other details. As custom cut items, these sets, kits and assemblies are non-returnable after processing.

Pioneer also offers **custom-sized cabinets**, such as those with a peaked top. If you have a special application, please inquire.

In addition to Pioneer-built extrusions, we also carry a full line of quality sign extrusions from **SignComp**, including Commercial, Architectural and Frame on Frame systems (great for vandal proof changeable copy signs). SignComp has dozens of profiles available in bronze finish, which can also serve as a primer if you will be painting your cabinet in addition to Ready-To-Ship pre-painted post and panel system signs (just insert Dibond, Poly-Metal or .080 aluminum for facing). SignComp also offers raceway extrusions, great for channel letter installation. Please visit www.signcomp.com to see available profiles.

We can custom cut your SignComp order! Please supply the information as above, list the specific extrusion you'd like to use and whether your finish is mill or bronze (available in most profiles) and we will process your order.

As with all Pioneer and SignComp custom cut orders, we require a signed acknowledgment. We will fax you a copy of your order before processing. Please check it carefully, note any changes and fax back your signed copy.

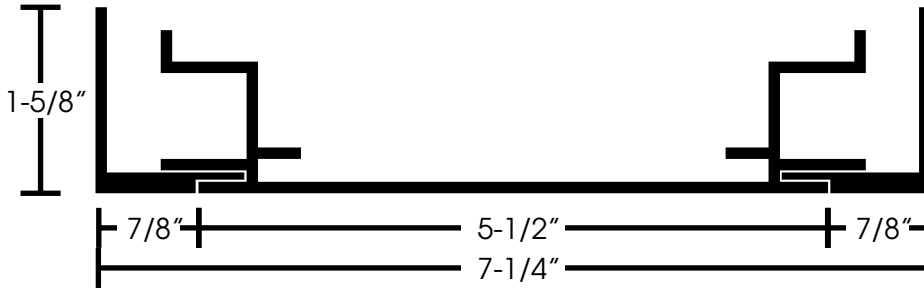
Please note:
Our shop lead times may vary according to current work load. Please inquire when ordering and we can provide you with an accurate time frame for your order.

Additionally:
For assembling your sign kits and extrusion sets, we sell Lord Adhesives. This amazing glue system bonds aluminum and acrylic for a permanent bond. This adhesive system offers improved appearances, insulates against organic corrosion and offers excellent environmental resistance. Other Lord Adhesives are available. Request brochure.



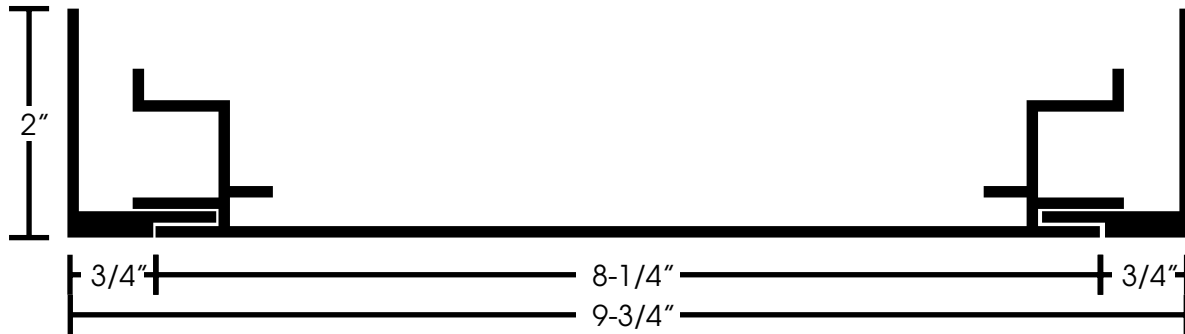
PIONEER BUILT EXTRUSION

#7



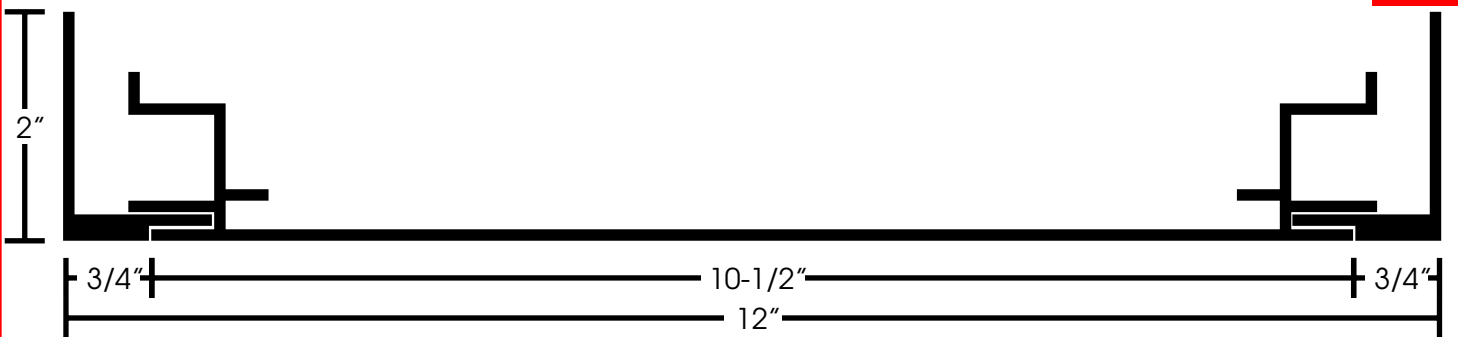
Extrusion Thickness is .100".
 Retainer shown here one side only.
 Overall width with retainer on both sides is 7-1/4".

#10



Extrusion Thickness is .100".
 Retainer shown here one side only.
 Overall width with retainer on both sides is 9-7/8".

#12



Extrusion Thickness is .100".
 Retainer shown here one side only.
 Overall width with retainer on both sides is 12-1/8".



www.pioneersupply.com

supplying a full line of products to the sign industry since 1948

PITTSBURGH

1840 Forbes Avenue
 Pittsburgh, PA 15219
 ph 412.471.5600 fx 412.471.7446
 TollFree OrderFone 800.545.2233
 TollFree OrderFax 800.762.6337

PENNSAUKEN

9258 Commerce Highway
 Pennsauken, NJ 08110
 ph 856.661.8020 fx 856.661.8299
 TollFree OrderFone 888.494.9522
 TollFree OrderFax 888.862.4502

BALTIMORE

611 N. Hammonds Ferry Road
 Linthicum, MD 21090
 ph 410.609.1270 fx 410.609.1271
 TollFree OrderFone 866.880.5531
 TollFree OrderFax 866.755.2398